

**Dimensions mm[inch]**  
 tolerances acc. to DIN ISO 2768-m  
 Toleranzen gem. DIN ISO 2768-m

**Isometric**  
 Scale 1:2  
 Maßstab 1:2

**Cable**

LIYY 2x0,14 mm<sup>2</sup>, grey  
 colour of wires: white and brown  
 ends tinned  
 LIYY 2x0,14 mm<sup>2</sup>, grau  
 Aderfarben: weiss und braun  
 Enden verzinkt

**Mounting Type C**

1.00" NPT thread  
 Einschraubteil,  
 1.00" NPT Gewinde

**Stem**

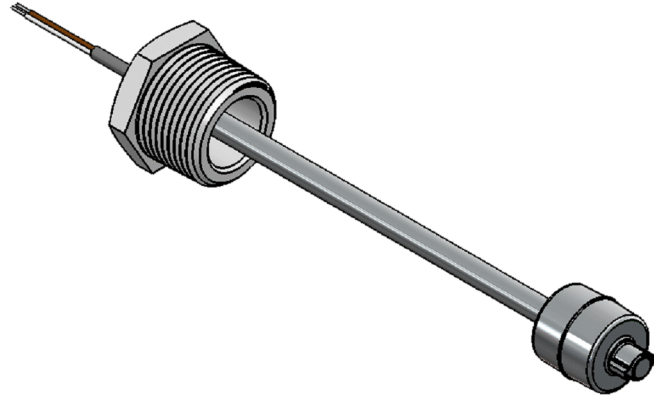
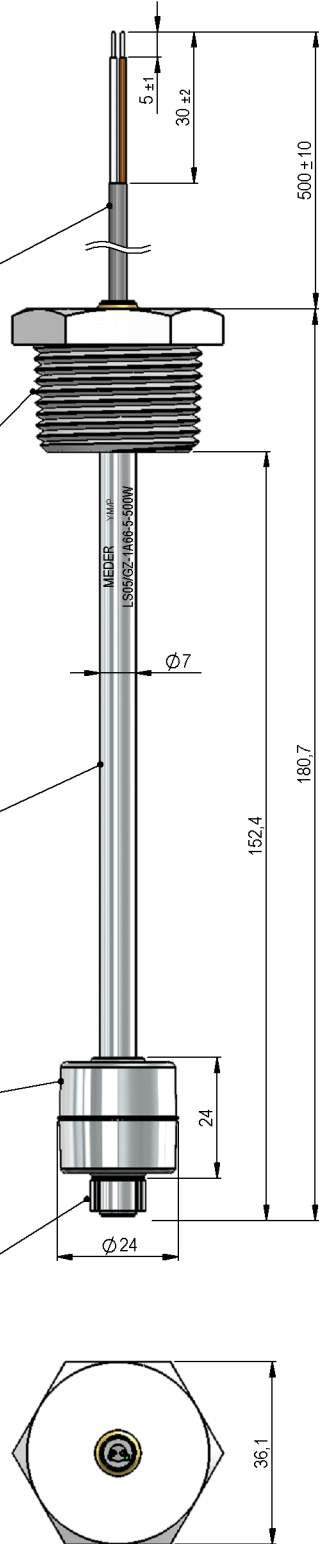
stainless steel  
 Edelstahl

**Float**

MS09-S, stainless steel  
 MS09-S, Edelstahl

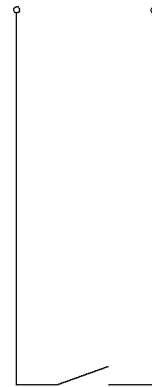
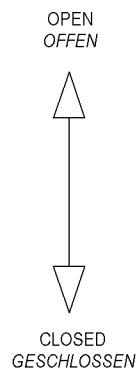
**Two-ear clamp**

stainless steel  
 Zweiohrklemme  
 Edelstahl



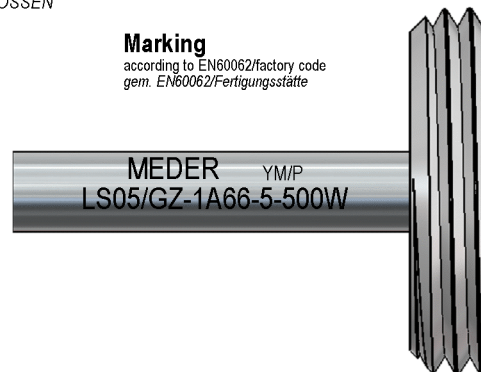
**Switching scale**

**Schematic**



**Marking**

according to EN60062/factory code  
 gem. EN60062/Fertigungsstätte





Europe: +49 / 7731 8399 0 | Email: info@meder.com  
 USA: +1 / 508 295 0771 | Email: salesusa@meder.com  
 Asia: +852 / 2955 1682 | Email: salesasia@meder.com

Item No.:  
**9555661054**  
 Item:  
**LS05/GZ-1A66-5-500W**  
**stainless steel**

*Products for tomorrow...*

Special Product Data	Conditions	Min	Typ	Max	Unit
Contact rating	Any DC combination of V & A not to exceed their individual max.'s			10	W
Switching voltage	DC or Peak AC			180	V
Carry current	DC or Peak AC			1.25	A
Switching current	DC or Peak AC			0.5	A
Sensor-resistance	measured with 40% overdrive			370	mOhm
Material of float				stainless steel	
Housing material LS				stainless steel	
Sealing compound				Polyurethan	

Environmental data	Conditions	Min	Typ	Max	Unit
Operating temperature	cable not moved	-30		80	°C
Operating temperature	cable moved	-5		80	°C
Storage temperature		-30		80	°C
Safety class	DIN EN 60529			IP68	

Cable specification	Conditions	Min	Typ	Max	Unit
Cable type				round cable	
Cable material				PVC	
Cross section				0,14 sq-mm	

General data	Conditions	Min	Typ	Max	Unit
Mounting advice				over 5m cable, a resistor is recommended.	
Tightening torque				0.5	Nm

Modifications in the sense of technical progress are reserved

Designed at: 05/31/11    Designed by: WKOVACS  
 Last Change at:            Last Change by:

Approval at: 06/01/11    Approval by: DKUECHLER  
 Approval at:                Approval by:

Rev. No.: 01